



# JetCard 1208L

## 8 Ports RS-232 Universal PCI Low Profile Card



- Supports 32-bit Universal PCI bus
- Low profile form factor fits small-sized PCs
- Up to 921.6Kbps high speed data transmission
- Built-in 15KV ESD Protection
- Supports 128-byte FIFO
- Driver supported Windows 7 / Vista /ME/ 2K/ XP



### Overview

JetCard 1208L is Korenix's 8-port RS-232 Universal PCI Low Profile Communication Card, which supports both 3.3V and 5V slots and is specifically designed to fit in small systems. The 8-port UPCl low profile card

allows users to connect multiple serial devices to the host becoming an ideal solution for applications in retail and POS systems, traffic operation centers, banking systems, etc.

### High Performance

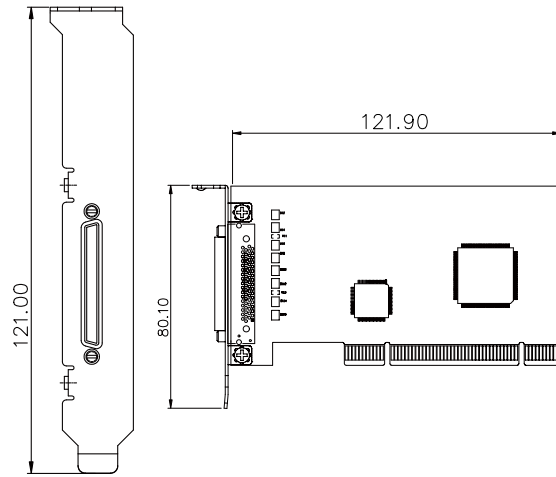
JetCard Series use Oxford OXmPCI954 chip, an 8-port Universal Asynchronous Receiver Transmitter, which is well-known for its high performance. Each UART channel in the JetCard offers data transmission speed up to 921.6 Kbps, and bi-directional 128-byte FIFO for each port. Deep FIFO can reduce the CPU's loading, saving CPU's resources for other important tasks. This chip also allows JetCard to be compatible with the widely-used industry-standard 16C950 devices and PCI bus.

In addition to high speed of 921.6 Kbps and 128-byte FIFO, Oxford chip also equips JetCard with on board flow control function. Instead of using a driver on the PC to control the traffic flow, JetCard uses the onboard flow control function to react directly

without waiting for the PC to respond.

In this way, the respond time and CPU's loading can be largely reduced, greatly enhancing your system's performance. You can either choose software flow control, which uses Tx and Rx to send/ receive XON/XOFF signals, or select hardware flow control, which uses CTS#/RTS# to send/ receive the signals. The flow control function is to prevent FIFO from overflow. JetCard is ideally suitable for PC applications, enabling PC users to take advantage of the maximum performance of analog modem or ISDN terminal adapters. JetCard is also suitable for any communications that require high speed RS-232/RS-422/RS-485 interfaces.

## Dimensions (Unit –mm)



Standard Bracket

## Pin Assignments

### Board Side Pin Assignments-Female SCSI VHDCI68



Pin	Signal	Pin	Signal	Pin	Signal	Pin	Signal	Pin	Signal	Pin	Signal
1	RxD6	13	DCD4	25	TxD2	37	RI7	49	RI5	61	TxD1
2	CTS6	14	RTS4	26	GND	38	RTS7	50	CTS5	62	DSR1
3	RI6	15	RI4	27	TxD0	39	DCD7	51	RxD5	63	DTR1
4	RTS6	16	CTS4	28	DSR0	40	DTR7	52	RxD3	64	DCD1
5	DCD6	17	RxD4	29	DTR0	41	DSR7	53	CTS3	65	RTS1
6	DTR6	18	RxD2	30	DCD0	42	TxD7	54	RI3	66	RI1
7	DSR6	19	CTS2	31	RTS0	43	GND	55	TRS3	67	CTS1
8	TxD6	20	RI2	32	RI0	44	TxD5	56	DCD3	68	RxD1
9	GND	21	RTS2	33	CTS0	45	DSR5	57	DTR3		
10	TxD4	22	DCD2	34	RxD0	46	DTR5	58	DSR3		
11	DSR4	23	DTR2	35	RxD7	47	DCD5	59	TxD3		
12	DTR4	24	DSR2	36	CTS7	48	RTS5	60	GND		

- Industrial PoE Switch
- IP67/68 Ethernet Switch
- Rackmount Managed Switch
- Gigabit Switch
- Redundant Switch
- Entry-Level Switch
- Networking Computer
- Communication Computer
- Ethernet I/O Server
- Serial Device Server
- Media Converter
- Multiport Serial Card**
- SFP Module
- Din Rail Power Supply

## Specification

### Interface

**Bus interface:** 32-bit Universal PCI

**Number of ports:** 8

**Max. Number of Boards:** 4

**IRQ:** Assigned by PCI plug and play

**Data Bits:** 5, 6, 7, 8

**Stop Bits:** 1, 1.5, 2

**Parity Bits:** None, Even, Odd, Space, Mark

**Data Signals:** TxD, RxD, RTS, CTS, DTR, DSR, DCD, GND

**Maximum stacked boards:** 4 boards plus the host board

### Hardware

**Communication controller:** 16C954 compatible (OXFORD)

**Board connector:** VHDCI 68

**Cable connection:** DB9 Male or DB25 Male, 100 cm

### Performance

**FIFP Size:** 128 bytes

**Seppd:** 50 bps to 921.6 Kbps

**Surge protection:** built-in 15KV ESD surge protection

### Power Requirements

**Power Consumption:** 130 mA (+5 V)

### Mechanical

**Dimensions:** 120 x 64.4 mm

### Environmental

**Operating Temperature:** -10 ~ 70°C (14 ~ 158°F)

**Storage Temperature:** -20 ~ 85°C (-4 ~ 185°F)

### OS Supported:

Windows 7 / Vista / ME / 2K / XP

Linux RedHat Enterprise 4.0 (2.6.9)/RedHat Enterprise 3.0

(2.4.21)/RedHat 9.0 (2.4.20)/RedHat 8.0 (2.4.18)/

RedHat 7.3 (2.4.18)/RedHat 7.2 (2.4.7)/FC5(2.6.16)/

FC3(2.6.9)/FC2(2.6.5)/FC1(2.4.22)/Mandrake 10.1(2.6.8)/

Mandrake 9.2 (2.4.22)

### Regulatory Approvals

**EMI:** FCC, CE

**Warranty:** 5 years

## Ordering Information

### JetCard 1208L 8 Ports RS-232 Universal PCI Low Profile Card

Includes:

- 8 Ports RS-232 Universal PCI Low Profile Card
- Standard bracket and low profile bracket
- Quick installation guide
- Documentation and software CD-ROM

## Optional Accessories

### CV68M9x8-100

Male VHDCI 68 to 8-port male DB9 connection cable, 100cm

### CV68M25x8-100

Male VHDCI 68 to 8-port male DB25 connection cable, 100cm



CV68M9x8-100



CV68M25x8-100