

Korenix JetPort Series Demo Box Quick Installation Guide

1. Introduction

In order to let customers understand Korenix product's features and applications, Korenix demo box shows how to connect with JetPort, JetNet and JetCon. In the Demo box, Korenix organizes Korenix products for the best results, and impresses customers with not only product introduction, but also live demonstration.

2. Demo Kits

2.1 Demo Units: JetPort 5601、5601f、5604、JetNet2005、JetCon1301



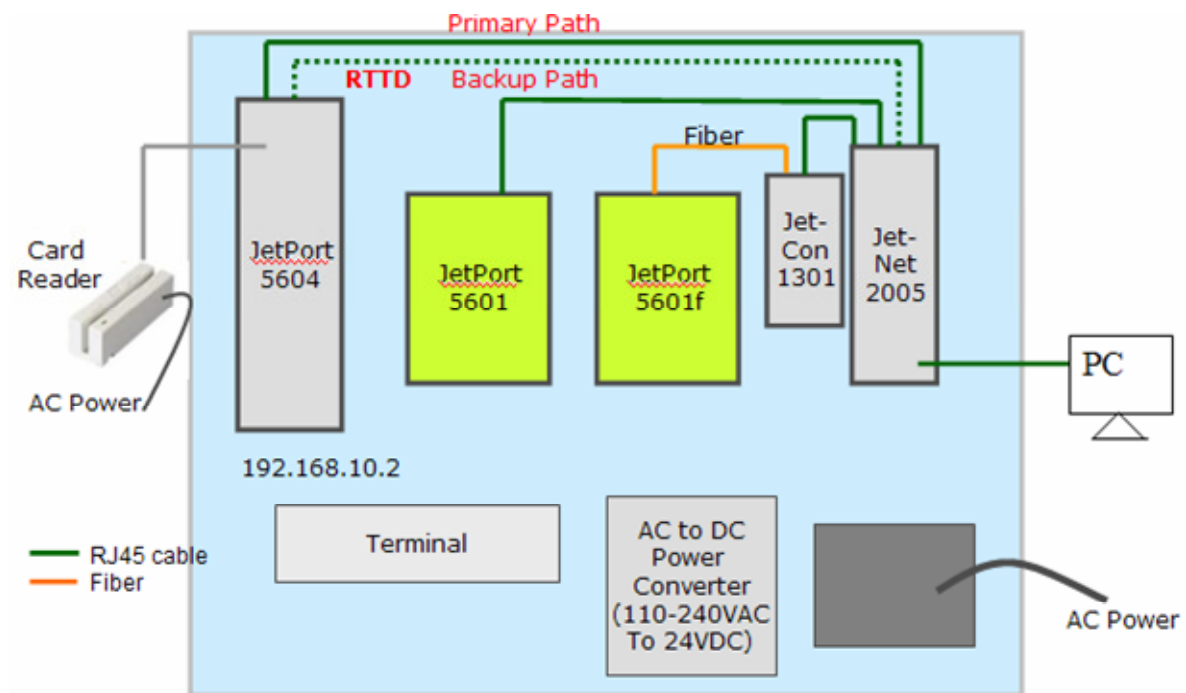
2.2 Accessory: Mounted AC(110-240V) to DC(24V) power input, power terminal, JetCon2204, Card Reader(with 12V power adapter and Serial cable), Fiber/UTP cables, power cord.





3. Hardware Installation

Below is the block diagram and step by step to construct your demo box.



- 3.1 5604:link JetNet2005 with two RJ-45 copper , one in RTTD path
- 3.2 5601:link JetNet2005 with RJ-45 copper
- 3.3 5601f:link JetCon1301 with Fiber
- 3.4 JetCon1301:link JetNet2005 with RJ-45 copper
- 3.5 Card Reader:
- 3.6 Power On your Devices:
- 3.7 Check the status of the devices:

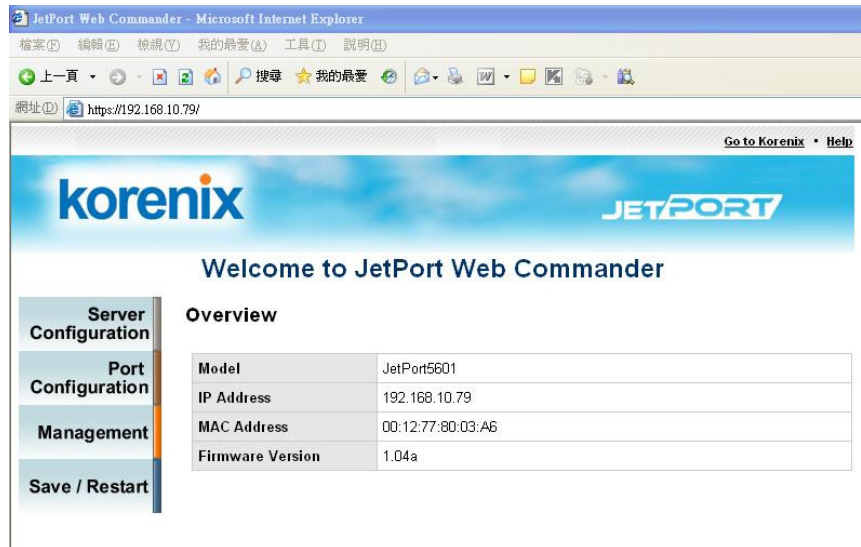
4. Software Installation

Default IP of the JetPort 5601&5601f&5604 is: 192.168.10.2. Please assign new IP to the JetPort devices by JetPort Commander or web UI.

Note: SSH login needs username and password which are: admin/admin

Preparation for Web Interface

1. Launch the web browser on the PC.
2. Type https:// device ip address and press enter.(default https://192.168.10.2)

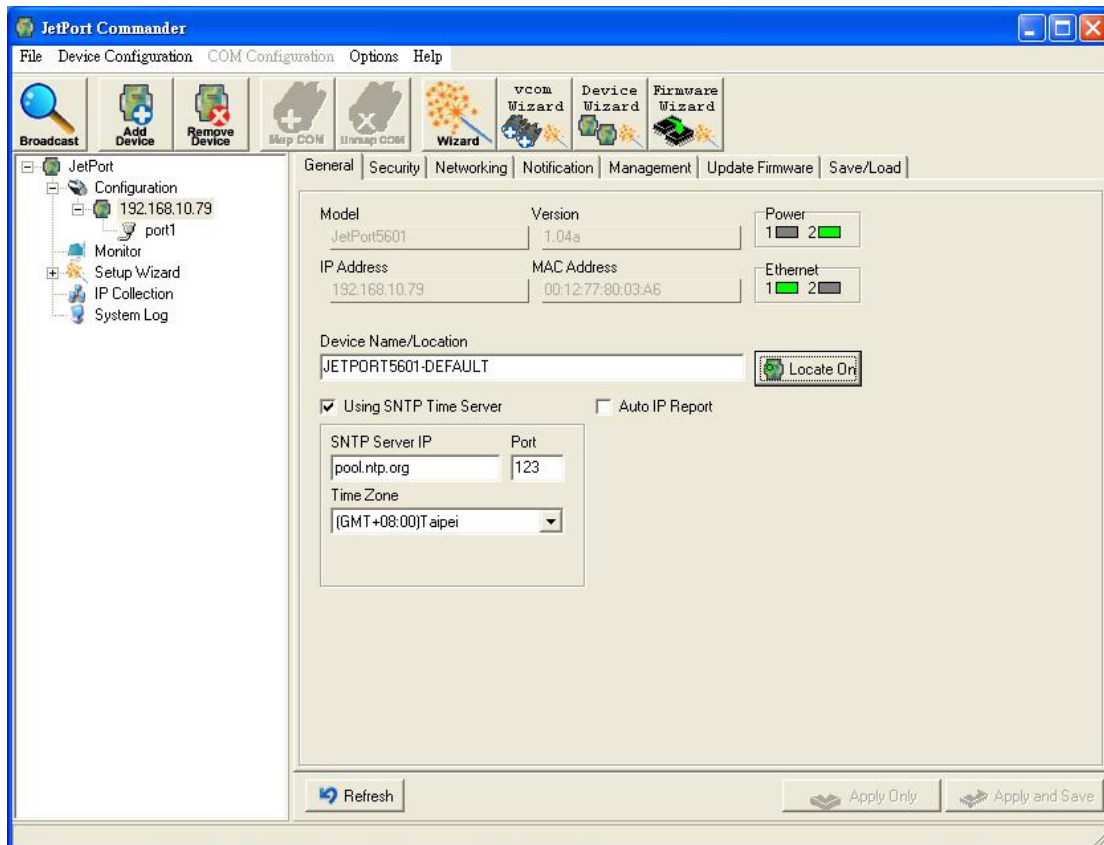


JetPort Commander

JetPort commander is a windows utility which can help customers control JetPort series products convenient and quickly. Please install this utility in your PC first.

You can find the new firmware and JetPort Commander in the CD or the Korenix web site.

Korenix Web Site :<http://www.korenix.com>



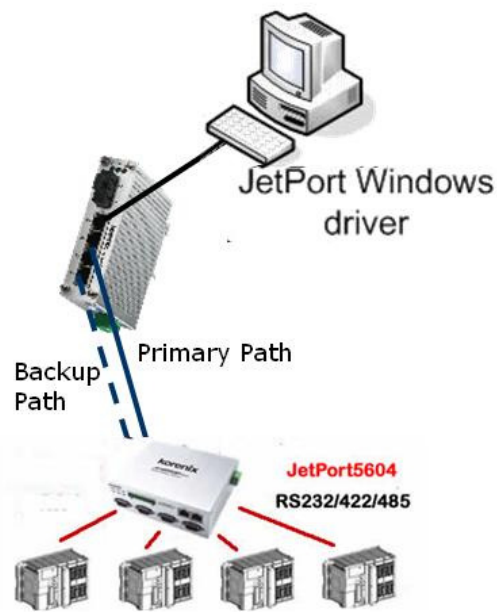
5. Demo Program

5.1 Virtual COM



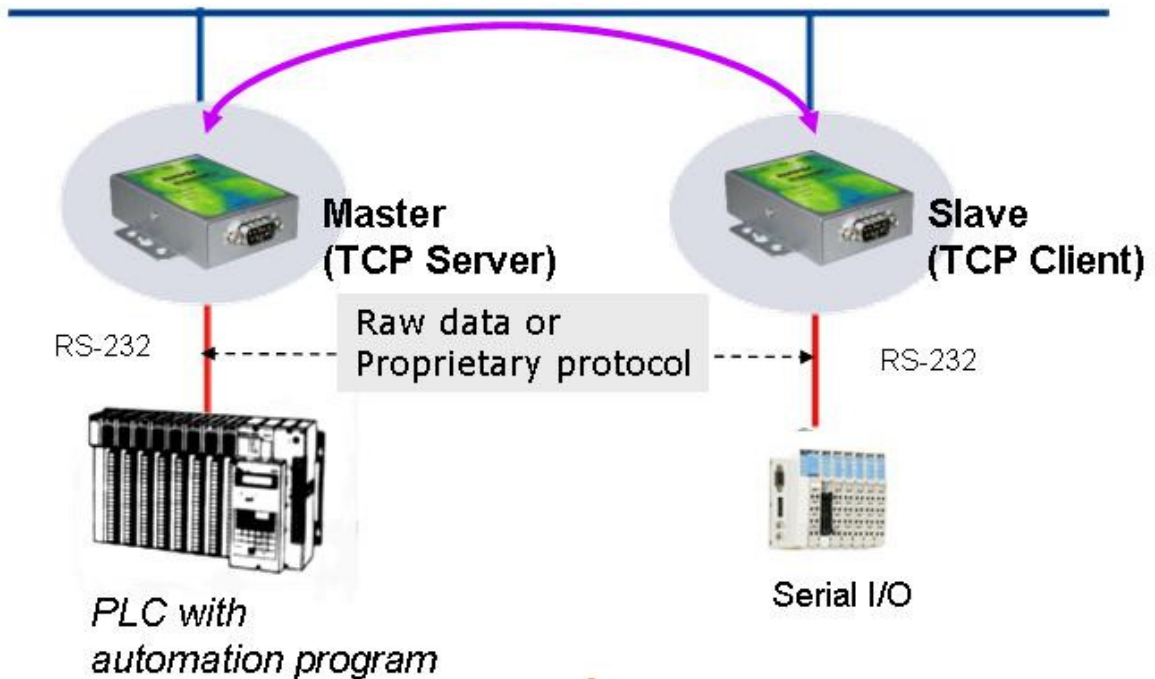
- ▶ Establish a Vcom with JetPort Commander
- ▶ Open Windows hyper terminal and set baudrate:9600 Data bit:8 Parity:No Stop Bits:1
- ▶ Swipe the Card and see the Data transfer

5.2 RTTD



- ▶ **Primary Path:** When the dual Ethernet ports are connected to different switches, only one path will be activated.
- ▶ **Backup Path:** The un-activated path will be the backup path.
- ▶ **Auto-recovery:** When the primary path is broken, the backup path will recover Ethernet connection in less than 200ms.

5.3 Serial Tunnel



- ▶ **No PC or driver is needed**

Tip: For setting quickly and convenient , you can use JetPort Commander > Setup Wizard > Serial Tunnel Wizard

